



TS-SS Sensor Series

Strap-On Temperature Sensors (Clamp)

Overview

This series of single point strap-on temperature sensors incorporate a precision sensor bonded to a 38 mm x 38 mm (1.5" x 1.5") aluminum plate and adhered to a 38 mm x 25.4 mm (1.5 x 1") compressible foam. A 254 mm (10") pipe clamp is provided to secure the assembly to various sizes of pipe. All probes are constructed to provide excellent heat transfer, fast response and are potted to resist moisture penetration. It is available with a variety of enclosures.



Applications

- ❑ Used for measuring temperature on supply and return hot water pipers of heating systems
- ❑ Can be mounted directly to various sizes of pipes
- ❑ Used for measuring temperature in supply and return lines in chillers

Features & Benefits

- ❑ Economical
- ❑ Ease of installation
- ❑ Accurate temperature monitoring for increased comfort
- ❑ Proven long stability and performance

Model Selection

TS-SSPS010	Strap-On Sensors (Clamp) with Rectangular ABS Enclosure
TS-SSPR010	Strap-On Sensors (Clamp) with Round ABS Enclosure and Gasketed Cover
TS-SSMJ010	Strap-On Sensors (Clamp) with Galvanized Steel Enclosure

Product Specifications

Environmental

Operating temperature _____ -20°C to 105°C; -4°F to 221°F
Storage temperature _____ -20°C to 105°C; -4°F to 221°F
Ambient humidity _____ 0 to 95% Non-condensing

Temperature Sensor

Sensor Accuracy _____ ±0.2°C; ±0.36°F
Temperature Sensor Type¹ _____ 10K Ω NTC thermistor, Type 2
Probe Material _____ Square aluminum plate with compressible foam backing
Probe Dimension _____ 38 mm (1.5") Square

Enclosure

Material:

- Plastic square enclosure (PS) _____ Grey ABS Type: UL94-5VB IP61 (NEMA12)
- Plastic round enclosure (PR) _____ Grey ABS; Type: UL94-5VB; IP65 (NEMA4X)
- Metal junction box enclosure (MJ) _____ Galvanized Steel Type: IP50 (NEMA1)

Shipping Weight:

- Plastic square enclosure (PS) _____ 0.60lbs (0.2727kg)
- Plastic round enclosure (PR) _____ 0.60lbs (0.2727kg)
- Metal junction box enclosure (MJ) _____ 1.00lbs (0.4550kg)

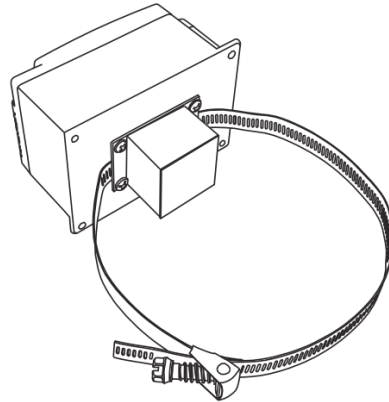
Agency Approvals

Material² _____ UL94-5VB

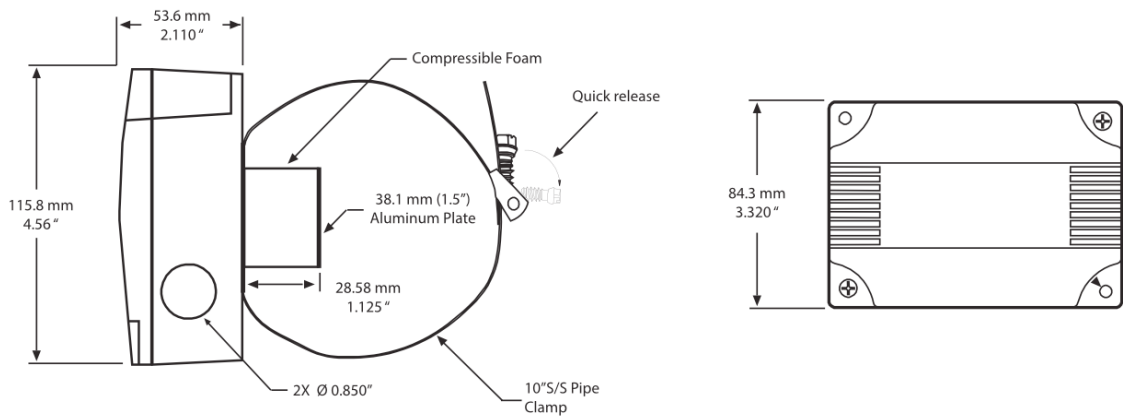
1. Temperature sensor type stated is standard. Other temperature sensor types are available.

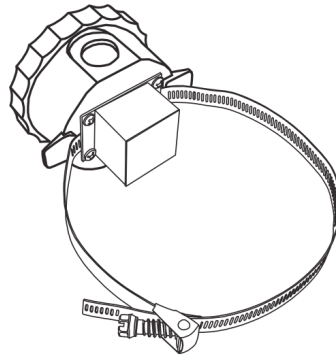
2. All materials and manufacturing processes comply with the RoHS directive

Dimensions

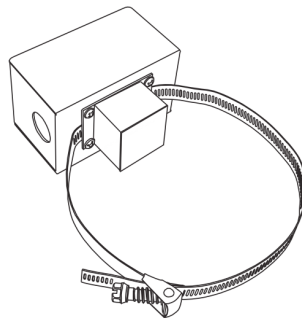
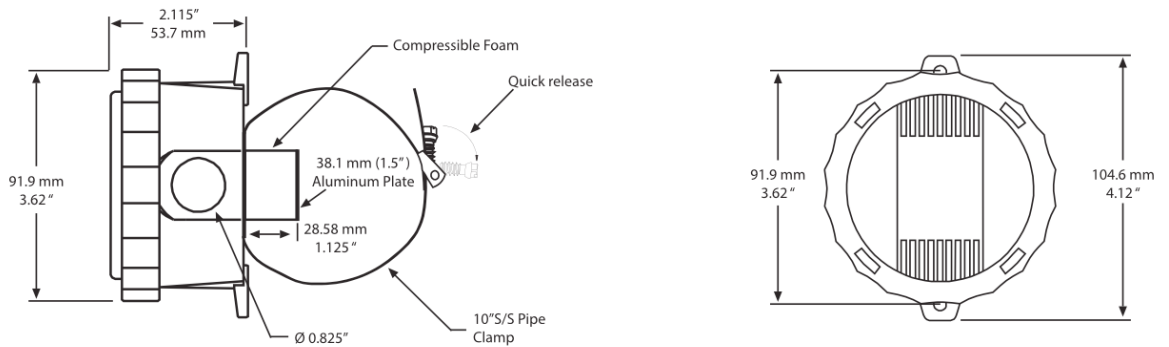


ABS Enclosure

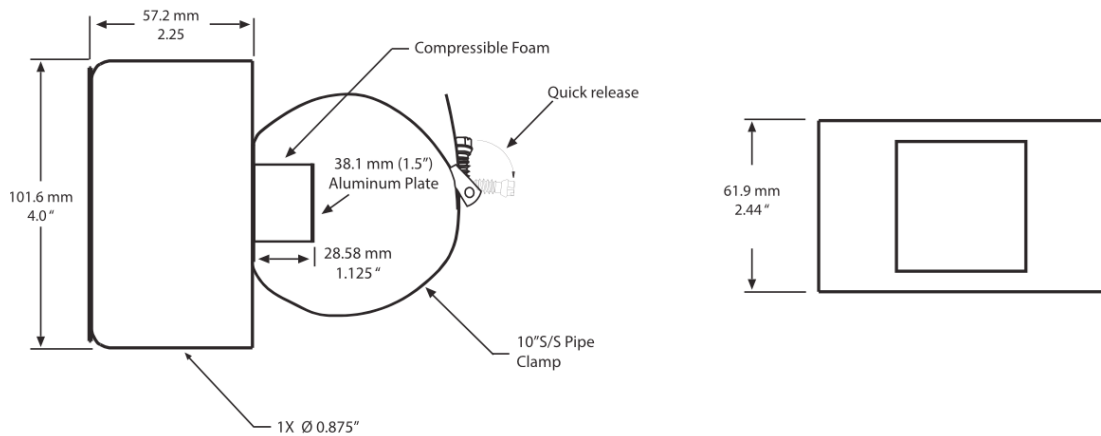




Round ABS Enclosure (E)



Metal Enclosure (M)



Specifications subject to change without notice.
 Distech Controls, and the Distech Controls logo are trademarks of Distech Controls Inc. All other trademarks are property of their respective owner.
 ©, Distech Controls Inc., 2015. All rights reserved.